



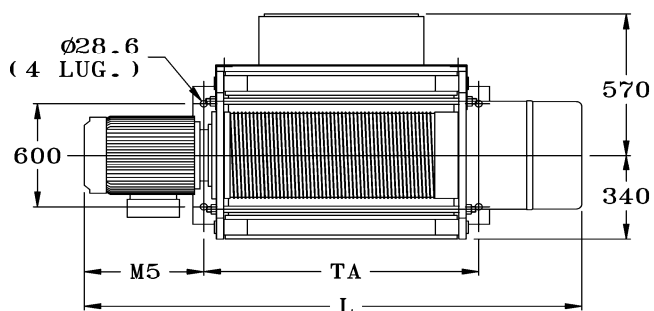
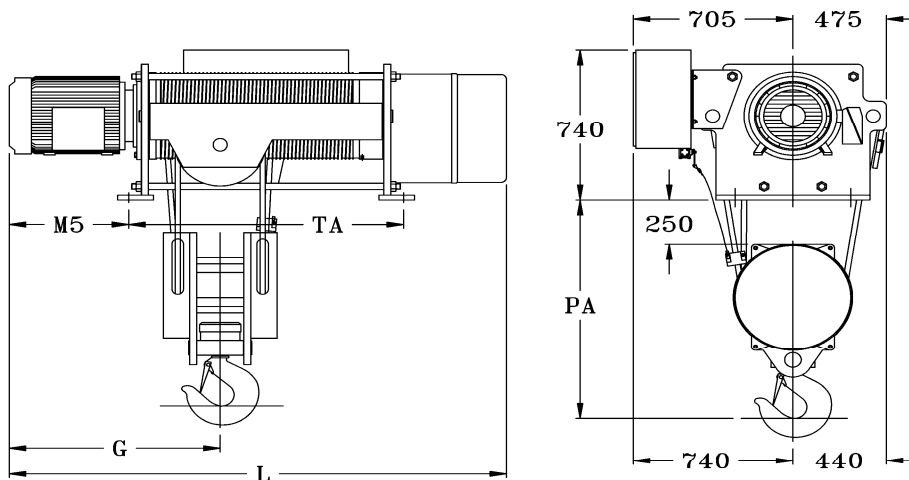
HAWI Manufacturera, S.A de C.V.

Allende No. 8 San Lorenzo, Coacalco, Edo. de México, C.P. 55714

Tels: 5865 2107 / 08 / 52, Fax: 5865 2115, E-mail: shaustein@hawi.com.mx

Dibujos Dimensiones Generales

Polipastos HG Tipo Fijo Apoyado



CAP. (Kg.)	MODELO	L	TA	G	M5	PA
20000	HG1-3-R9	1700	810	844	450	1164
	HG1-4-R9	1800	910	881	450	1164
	HG1-5-R9	1950	1060	881	450	1164
	HG1-6-R9	2150	1260	881	450	1164
	HG1-7-R9	2350	1460	881	450	1164
	HG1-8-R9	2600	1710	881	450	1164
	HG1-9-R9	2850	1960	881	450	1164
	HG1-10-R9	3100	2210	881	450	1164
	HG1-11-R9	3350	2460	881	450	1164
	HG1-12-R9	3600	2710	881	450	1164
	HG1-13-R9	3850	2960	881	450	1164