



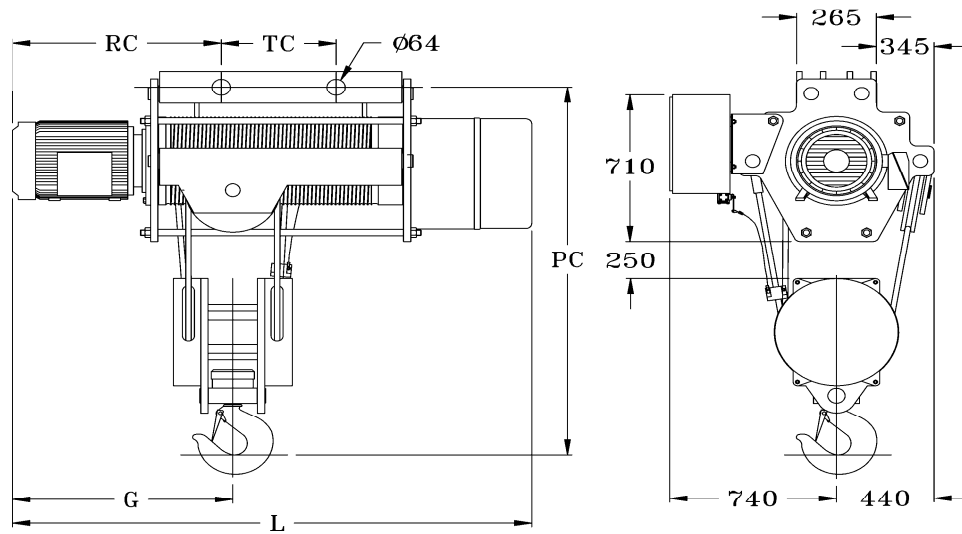
**HAWI Manufacturera, S.A de C.V.**

Allende No. 8 San Lorenzo, Coacalco, Edo. de México, C.P. 55714

Tels: 5865 2107 / 08 / 52, Fax: 5865 2115, E-mail: shaustein@hawi.com.mx

**Dibujos Dimensiones Generales**

**Polipastos HG Tipo Fijo Colgante**



| CAP. (Kg.) | MODELO   | L    | TC  | G   | PC   | RC  |
|------------|----------|------|-----|-----|------|-----|
| 20000      | HG1-3-R9 | 1700 | 320 | 844 | 1900 | 694 |
|            | HG1-4-R9 | 1800 | 420 | 881 | 1900 | 694 |
|            | HG1-5-R9 | 1950 | 500 | 881 | 1900 | 694 |
|            | HG1-6-R9 | 2150 | 500 | 881 | 1900 | 734 |